

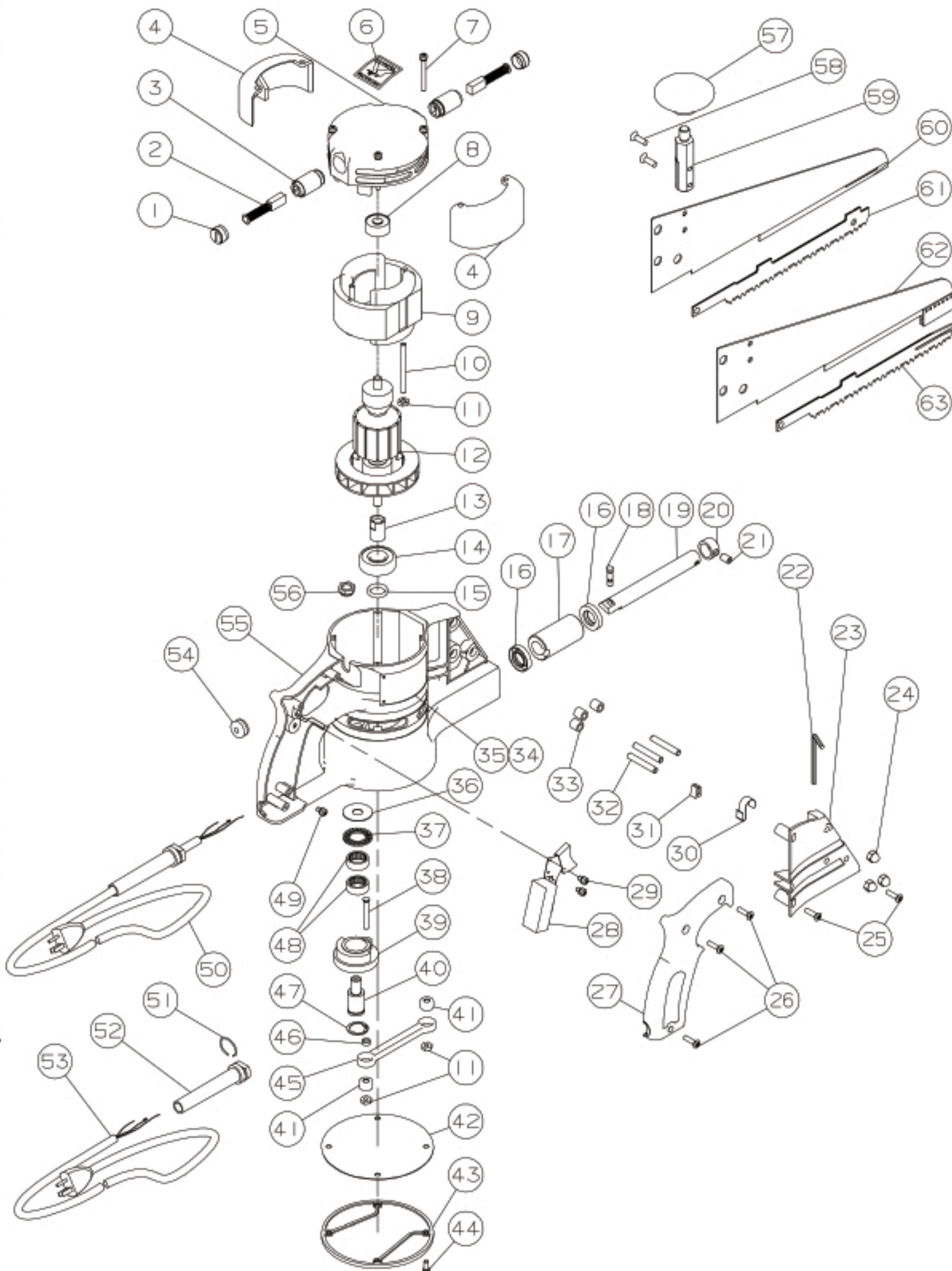
ITEM NO.	REPLACEMENT PARTS	MFR. NO.	REQ.
3028 0025	1. Brush Cap	1063112	(2)
3028 0024	2. Brush & Spring	1063111	(2)
3028 0023	3. Brush Holder	1063110	(2)
3028 0046	4. Deflector	1015006	(2)
3028 0009	5. Top Cap	1002191	(1)
3028 7083	6. Danger Label	1017083	(1)
3028 0039	7. Screw, flat head	1055428	(4)
3028 0043	8. Ball Bearing	1021215	(1)
3028 0022	9. Stator 115v	1063119	(1)
3028 3120	Stator 230v	1063120	(1)
3028 0019	10. Stator Stud	1027040	(2)
3028 0036	11. Lock Nut	1007164	(4)
3028 0020	12. Armature, 115v	1063117	(1)
3028 0021	Armature, 230v	1063118	(1)
3028 0047	13. Pinion Gear, LH Thread	1026072	(1)
3028 0063	14. Ball Bearing	1021227	(1)
3028 0032	15. Seal	1035193	(1)
3028 0028	16. Seal	1035192	(2)
3028 0017	17. Bushing	1036116	(1)
3028 0029	18. Drive Stud	1027041	(1)
3028 0035	19. Push Rod & Stud	3065010	(1)
3028 2050	20. Clamp Ring	1012050	(1)
3028 0061	21. Set Screw 1/4"	1055422	(1)
3028 0037	22. Hex Key	8030031	(1)
3028 0010	23. Blade Support Cover	1002206	(1)
3028 0050	24. Cap Nut	1007162	(6)
3028 0041	25. Screw, oval head Phillips	1055439	(2)
3028 42421	26. Screw, coated	1054076	(3)
3028 1693	27. Handle Cover	1002203	(1)
3028 0006	28. Switch	1005038	(1)
3028 34631	29. Screw, round head	1073190	(2)
3028 0096	30. "S" Clip	1012046	(1)
3028 0097	31. "U" Clip (rubber)	1012047	(1)
3028 0049	32. Stud	1027048	(3)
3028 0048	33. Insert Bushing	1036120	(3)
3028 0045	36. Thrust Bearing Race	1004149	(1)
3028 0044	37. Needle Thrust Bearing	1021218	(1)
3028 0056	38. Drive Stud	1027043	(1)
3028 0136	39. Gear & Stud (item 38)	3026024	(1)
3028 0026	40. Gear Shaft, LH Thread	1020133	(1)
3028 1737	41. Needle Bearing	1021228	(2)
3028 0015	42. Gasket	1035191	(1)
3028 0012	43. Bottom Plate	1002193	(1)
3028 0038	44. Screw, Set of 12	1055426	(4)
3028 0016	45. Connecting Rod & Bearing	3028030	(1)
3028 0033	46. Spacer	1029185	(1)
3028 3310	47. Snap Ring	1013310	(1)
3028 0058	48. Needle Bearing	1021216	(2)
3028 5454	49. Screw, round head	1055454	(1)
3028 0013	50. Cord and Plug, 115v	3001008	(1)
3028 62371	Cord and Plug, 230v	3001010	(1)
3028 0060	51. Clamp Ring	1013137	(1)
3028 0059	52. Strain Relief	1063125	(1)
3028 1762	53. Cord w/o Strain Relief, 230v	3001011	(1)
3028 3109	54. Grommet	1063109	(1)
3028 0062	55. Housing	1016199	(1)
3028 0137	56. Gear Stud Nut	1007166	(1)
3028 6021	57. Knob	1006021	(1)
3028 0042	58. Screw, oval head Phillips	1055429	(2)
3028 0030	59. Handle Stud	1027042	(1)
ITEM NO.	BLADES & SUPPORTS	MFR. NO.	REQ.
3028 8071	60. 8" Blade Support, End Cut	1058071	(1)
3028 8070	16" Blade Support, End Cut	1058070	(1)
3028 3122	61. 8" Blade, End Cutting	1023122	(1)
3028 31211	16" Blade, End Cutting	1023121	(1)
3028 8075	62. 8" Blade Support, H.D.	1058075	(1)
3028 8074	16" Blade Support, H.D.	1058074	(1)
3028 3123	63. 8" Blade, H.D.	1023123	(1)
3028 31241	16" Blade, H.D.	1023124	(1)
3028 0179	Gear Grease, 1-lb. can		(1)
ITEM NO.	REPLACEMENT KITS	MFR. NO.	
3028 0064	Armature, Bearing & Pinion Gear, 115v	3063007	
3028 3013	Armature & Pinion, 115v	3063013	
3028 0034	Gear & Bearing Assembly	3026023	
3028 6119	Hsg, Seals & Bushing Assembly	3016119	

# JARVIS®

## Wellsaw 404

### Replacement Parts

*We are a full-line stocking distributor  
or Jarvis® replacement parts and  
blades for all Jarvis® tools.*



**CALL 800-456-5624 FOR PRICING  
& MORE INFORMATION**